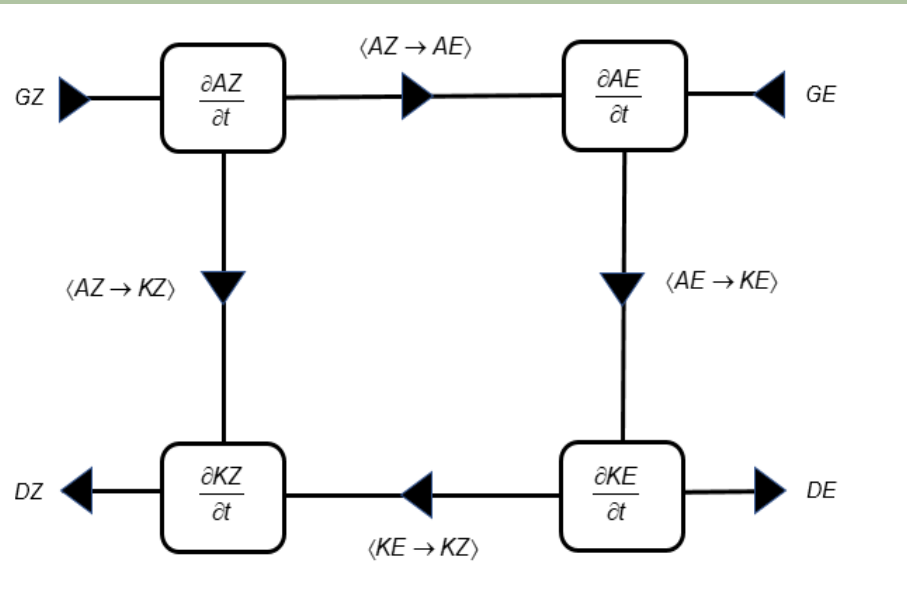


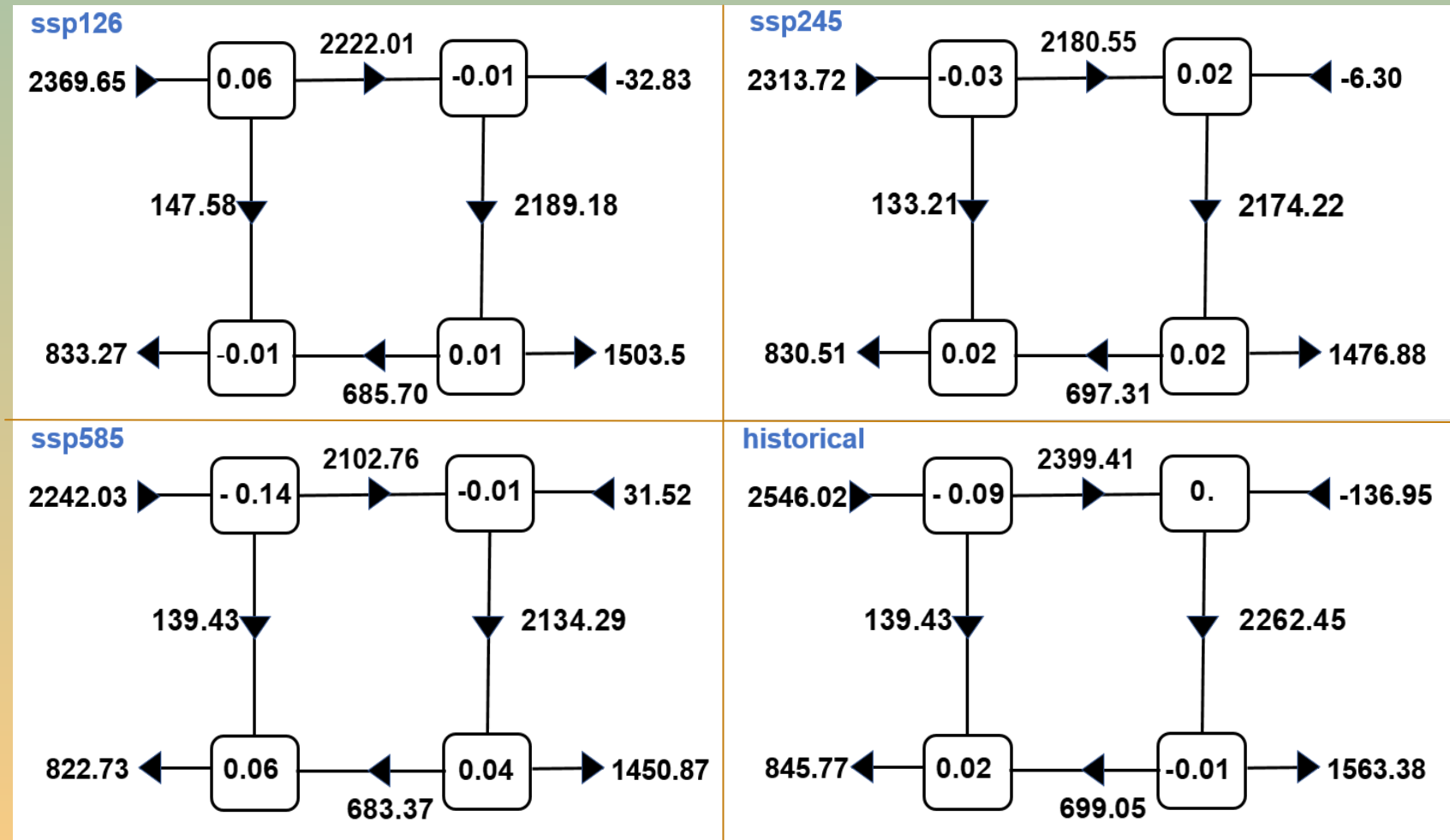
Atmospheric energetics under different CMIP6 climate scenarios

Silas Michaelides

Climate and Atmosphere Research Center (CARE-C), The Cyprus Institute,
Nicosia, Cyprus



This study examines whether different future climate scenarios [Shared Socioeconomic Pathways (SSP's)] as they are adopted in Phase 6 of the Coupled Model Intercomparison Project (CMIP6), can lead to different regimes in the energetics components of the Lorenz's energy cycle.



The results have shown that the different SSPs yield diverse energetics regimes, consequently impacting on Lorenz's energy cycle.